

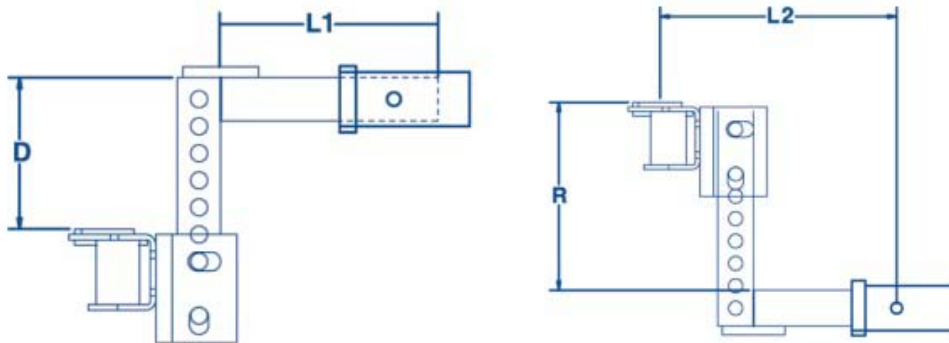
Weight Distributing Hitch Bars

Sold separately from the weigh distributing hitch kits, hitch bars offer a full range of style and adjustability. Designed for use with all Trunnion and Round Bar Weight Distributing Kits.

- Angled, extended, "T" and deep drop designs available
- Designed for use in the rise and drop position
- 2" x 2" solid shanks
- Black powder coat finish over over e-coat

How to Measure for the Proper Hitch Bar

Refer to the diagrams below to assist in determining the correct Length, Rise & Drop required when selecting the correct hitch bar for your Weight Distributing Hitch.



Illustrations show Adjustable Hitch Bar

