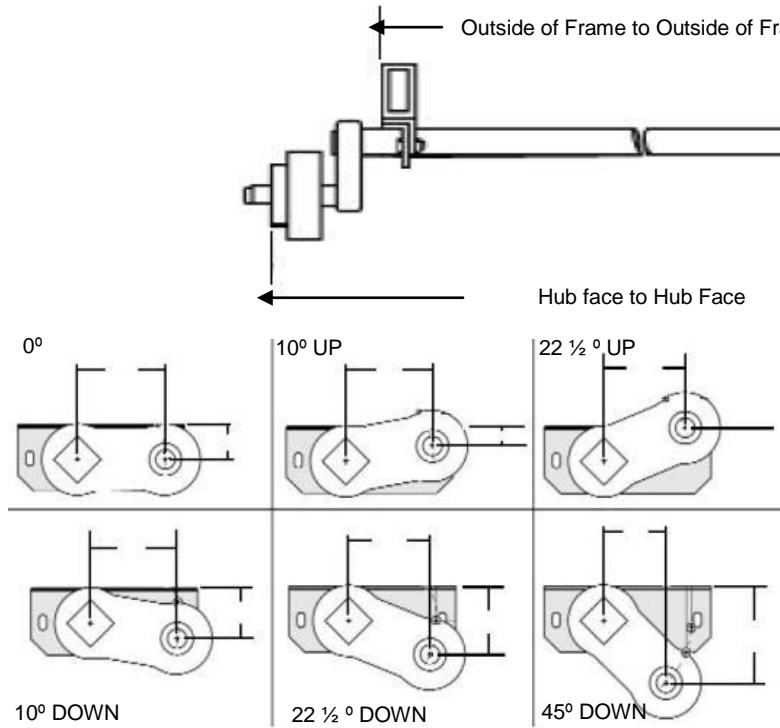


Measuring for Replacement Torflex Axles



Determine where the center of the spindle is in relationship to the bottom of the main frame to help determine closest articulation angle.

Date: _____ PO# _____

Customer Name: _____ Contact _____

Telephone: _____ Fax: _____

Capacity (2000LB, 3500LB, 6000LB, 7000LB, etc) _____

Bolt Pattern (4 Bolt, 5 Bolt*, 6 Bolt, 8 Bolt) _____

Hub face to Hub face _____

Brake Type _____
 (Idler, Electric, Hydraulic, Hydraulic Free Backing, Etc)

Outside Frame to Outside of Frame _____

Articulation Angle _____
 (0, 10 Up, 22 1/2 Up, 10 Down, 22 1/2 Down, 45 Down)

Other Information _____

Lube Type _____
 (Grease, EZ or Nev-r- lube Oil Bath)

Stud Size _____
 (1/2", 9/16" Etc)

Quantity _____

***Please Note**

Standard 5 bolt pattern on trailer axles is **5 on 4 1/2"** bolt circle.
 There are also:
 5 on 4 3/4"
 5 on 5"
 5 on 5 1/2"

Please ensure you order the correct 5 bolt pattern.

Email completed form to info@trailercanada.com