

Typical EZ Lube Spindle & Hub Assembly

Protect your bearings with E-Z Lube.

Keep bearings protected the easy way. Use the E-Z Lube Axle from Dexter. The E-Z Lube design allows grease to flow with EASE to both outer and inner bearings for a complete repack. It's E-Z because all you need to do is attach a grease gun at the end and insert the grease. No disassembly required! E-Z Lube's end cap allows for easy access, extra protection and no mess. With such complete lubrication, your running gear is protected from corrosion and water entry. E-Z Lube protection and maintenance features make it ideal for most any towable axle, whether it's for work or play. Give your running gear the protection and maintenance with E-Z Lube from Dexter and us!

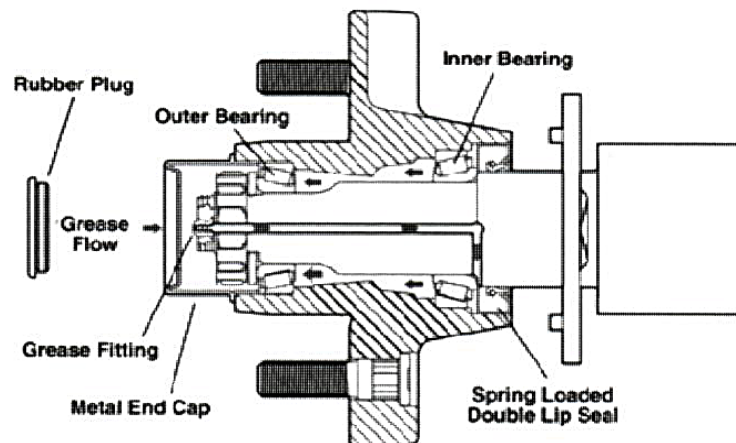


Figure 4: EZ-Lube Diagram